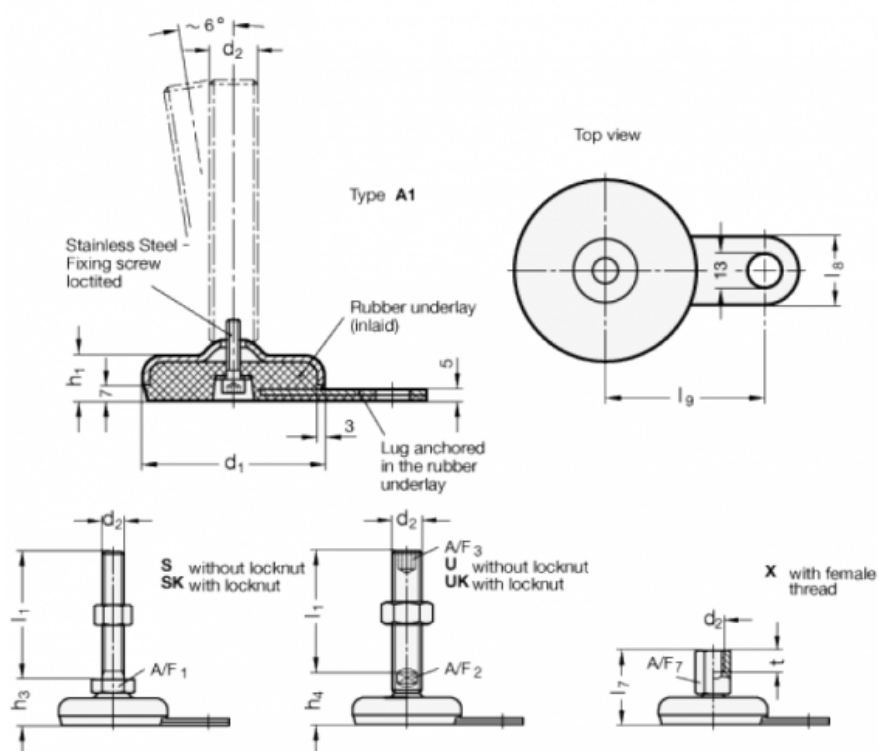


Article number: 203250M1043A1X
 Description: E+G levelling foot
 GN 32-50-M10-43-A1-X
 Note: X With female thread, External hexagon

Measures



A/F7	= 14
d1	= 50
d2	= M10
h1	= 18
l7	= 43
l8	= 25
l9	= 45
t	= 10